

8' Curve Table Top Extra Thin Frame



Picture shows graphic front panel Upgrade

Exhibit Kit Include:

- 1 - 3x2 Lite Curve Extra Thin Pop Up Frame
- 12 - Straight Channel Bars
- 1 - Nylon bag for frame and bars
- 1 - Hard carrying case on wheels with locks
- Mini Podium Convertible
- 2 - Halogen Light 150W with case
- 3 - Fabric Front Panels
- 2 - Fabric End Cap Panels

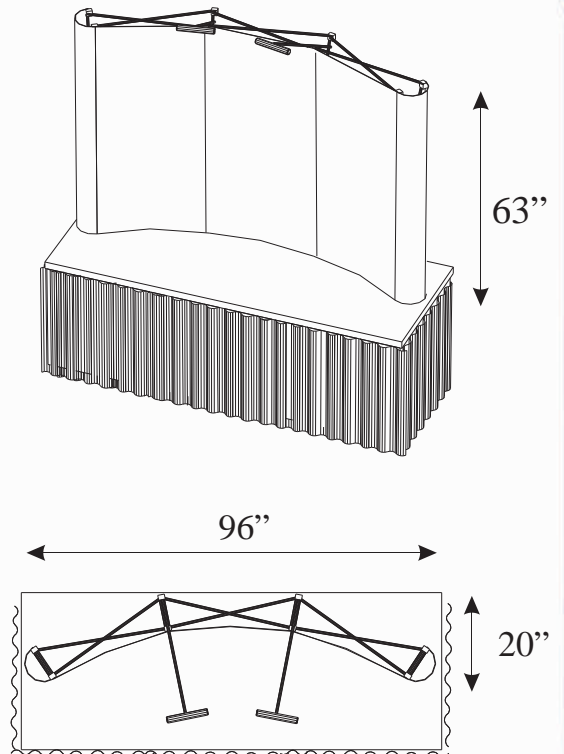
Upgrades

- 7' Full Color Graphic Banner velcro Backed
- Graphic Front Panels
- Graphic End Cap Panels
- Podium Conversion Fabric Panel

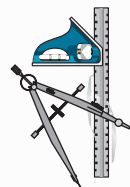
Graphic Mural Size:

- 87.87" x 63" h (2232x1600 mm.) No End Cap
- 119.37" x 63" h (3032x1600 mm.) With End Cap

DISTRIBUTOR:



SPECIFICATIONS



Type: 8' Curve Table Top
Dimensions: 96" x 18" x 63"h
Electrical: 2 Outlet
 300 W Total Power

SET UP



Set Up Time: 12 minutes
with 1 person
Dismantling Time: 10 minutes
with 1 person

SHIPPING



Number of cases: 1

Total Weight: 52 lb (23.4 kg.)

Total Volume: 9.6 cu/ft (0.28 m³)

UPS compatible: yes

